

# LRC- RESIN CAST SERIES

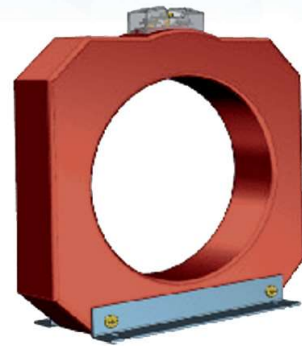
	LRC7 230/165(40)	LRC8 295/200(40)
Hole diameter	∅ 165 mm	∅ 200 mm
Depth	40 mm	40 mm
Width	230 mm	295 mm
Primary current	3000 A...3200 A	4000 A...5000 A
Secondary current	1 A, 5 A	
Accuracy class	1	

INPUT:

3000 A  
...  
5000 A

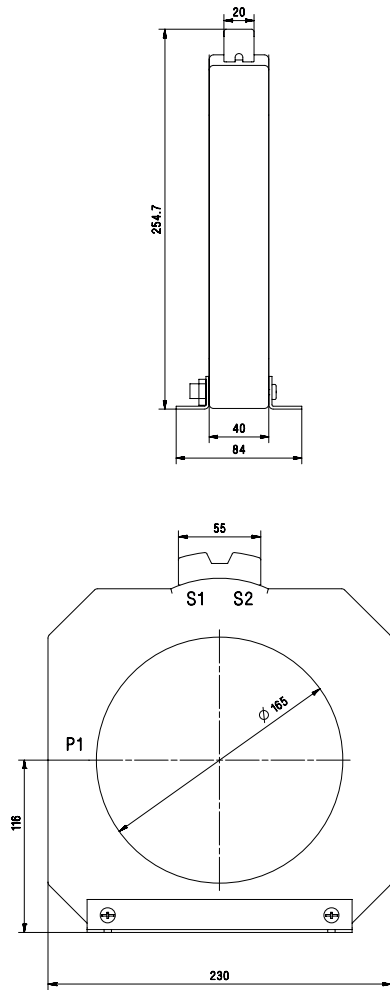
OUTPUTS:

5 A 1 A

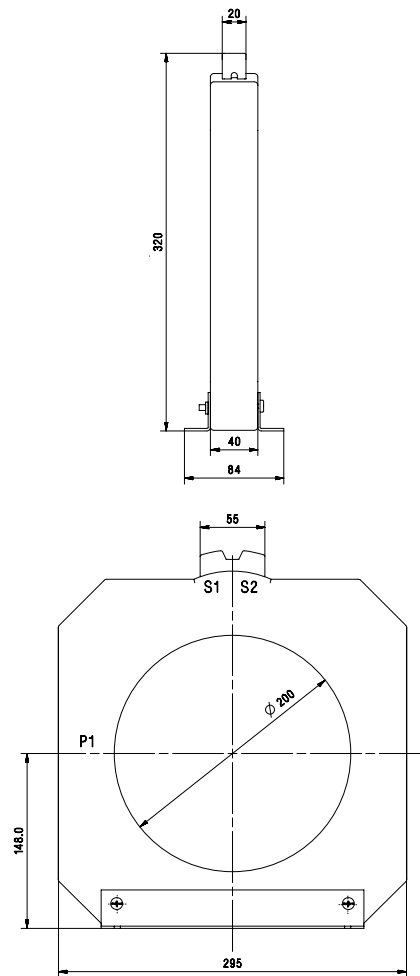


## DIMENSIONS

LRC7 230/165(40)



LRC8 295/200(40)



Transformer type	LRC7 230/165(40)	LRC8 295/200(40)
Accuracy class	1	1
Rated primary current	Transformer burden	
3000 A	15 VA	-
3200 A	15 VA	-
4000 A	-	15 VA
5000 A	-	15 VA

### ORDER

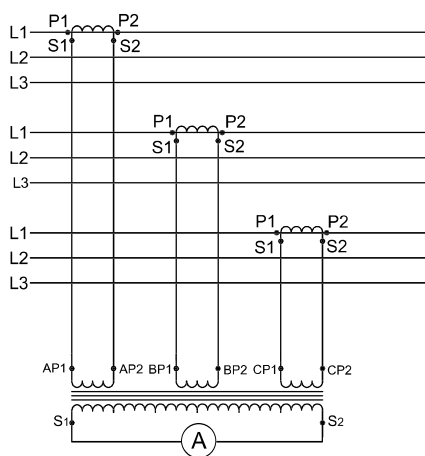
Required data: transformer type/ primary current/ secondary current/ power/ accuracy class

Order example: LRC7 230/165(40) 3000/5A, 15VA, kl. 1

# LU01 - SUMMATION CURRENT TRANSFORMERS



**SUMMATION CURRENT TRANSFORMER** are designed to summarize several synchronous alternating currents of equal phase relation with any angle of phase difference. They are used to add secondary currents of several main c.t.'s in order to measure with the CT only.



Current measurement in phase L1

## AN EXAMPLE OF POWER SELECTION FOR MAIN TRANSFORMERS WITH DIFFERENT TRANSMISSIONS

Main Transformer ratio:

$$\begin{array}{r} 500/5A \\ 400/5A \\ \hline 300/5A \\ \text{Total current} = 1200/5A \end{array}$$

Burden - 1 Ammeter

Required Active performance of the Current Transformer:

Ammeter	1.5 VA
Measurement Conductor Loss	1.5 VA
Consumption in Summation CT	4.0 VA
<b>Total VA</b>	<b>7.0 VA</b>

The individual main transformer must provide it's VA share from this 7.0 VA.

1. Main transformer 500/ 5A  $(500/ 1200) \times 7 = 2.92 \text{ VA} + \text{additional losses} \approx 3.75 \text{ VA}^*$
2. Main transformer 400/ 5A  $(400/ 1200) \times 7 = 2.33 \text{ VA} + \text{additional losses} \approx 2.5 \text{ VA}^*$
3. Main transformer 300/ 5A  $(300/ 1200) \times 7 = 1.75 \text{ VA} + \text{additional losses} \approx 2.5 \text{ VA}^*$

\*The VA values of the main transformer are to be rounded up to the corresponding values in our chart.

**Note:** If using unequal main c.t.'s than ration of lowest primary main c.t. current to the highest one should not exceed 1:8.

## FEATURES:

- Available current transformers versions with 2 to 8 primary windings.
- Nickel plated secondary terminals with +/- screws.
- Multiple mounting methods, including wall mounting, DIN rail 35mm.
- Terminal protection IP10.

## GENERAL SPECIFICATION

<b>Applicable standard:</b>	IEC 61869-1/2
<b>Case:</b>	self-extinguishing plastic
<b>Connection:</b>	Two connection on each side. M4 screws with self lifting clamp strap.
<b>Insulation class:</b>	E (max 120°C)
<b>Maximum system voltage:</b>	0.72 kV
<b>Operating frequency:</b>	50/60 Hz
<b>Test voltage:</b>	3 kV, 50 Hz, 1 min
<b>Rated primary rating:</b>	(2...8) x 5A
<b>Rated secondary output:</b>	5A
<b>Rated burden:</b>	5; 10; 15; 20; 25 VA
<b>Accuracy class:</b>	0.5; 1
<b>Ambient temperature:</b>	-25°C ... +40°C
<b>Storage temperature:</b>	-50°C ... +80°C
<b>Thermal short circuit current (I<sub>th</sub>):</b>	60 x I <sub>n</sub>
<b>Dynamic short circuit current (I<sub>dyn</sub>):</b>	2,5xI <sub>th</sub>
<b>Instrument security factor (FS):</b>	5,10

## FEATURES:



## OUTPUTS:



# LU01- SUMMATION CURRENT TRANSFORMERS

	LU01 (75)
Depth	70 mm
Width	75 mm
Inputs	2 x 5A...4 x 5A
Secondary current	5 A
Accuracy class	0,5; 1

INPUTS:

2 x 5A  
...  
4 x 5A

OUTPUTS:

5 A

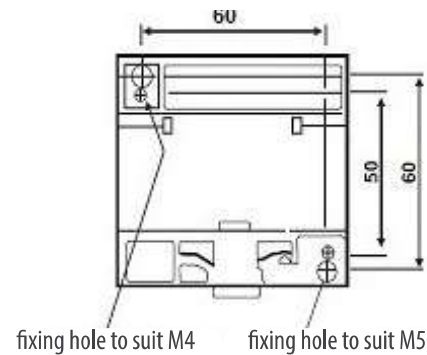
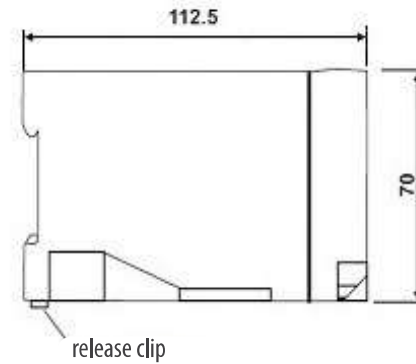
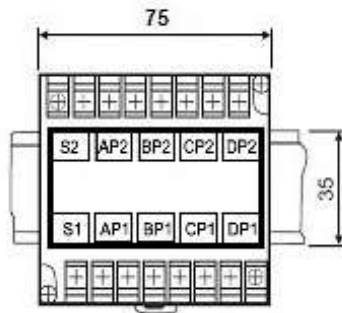


NEW

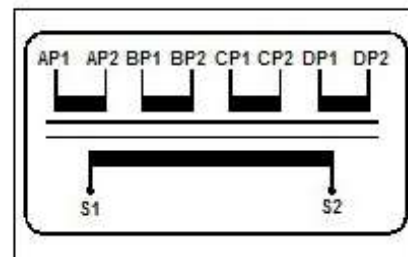
CE

## DIMENSIONS

LU01 (75)



Transformer type	LU01 (75)	
Accuracy class	0.5	1
Inputs	Transformer burden	
	5 VA	5 VA
2 x 5A	10 VA	10 VA
	15 VA	15 VA
	-	20 VA
	-	25 VA
3 x 5A	5 VA	5 VA
	10 VA	10 VA
	15 VA	15 VA
	-	20 VA
	-	25 VA
4 x 5A	5 VA	5 VA
	10 VA	10 VA
	15 VA	15 VA
	-	20 VA
	-	25 VA



terminal description

### ORDER

Required data: transformer type/ inputs/ power/ accuracy class

Order example: LU01 (75), 2x5A, 5VA, cl. 1

# LU01- SUMMATION CURRENT TRANSFORMERS

	LU01 (150)
Depth	70 mm
Width	150 mm
Inputs	5 x 5A...8 x 5A
Secondary current	1 A, 5 A
Accuracy class	0,5; 1

INPUTS:

5 x 5A  
...  
8 x 5A

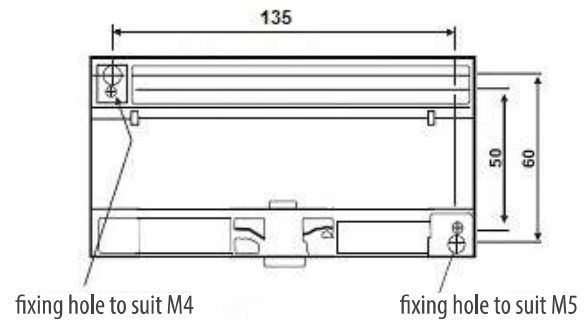
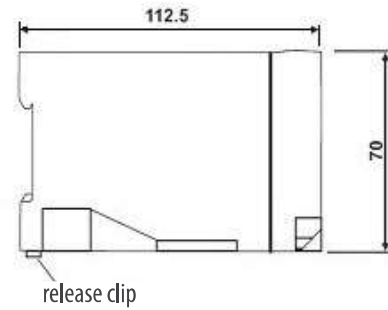
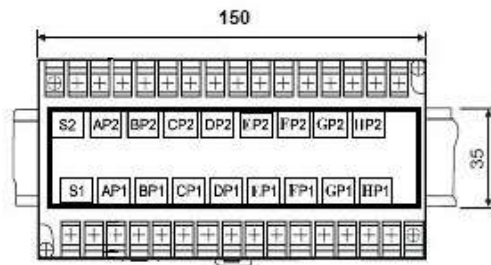
OUTPUTS:

5 A



## DIMENSIONS

### LU01 (150)



Transformer type	LU01 (150)	
	0.5	1
Accuracy class	0.5	1
Inputs	Transformer burden	
5 x 5A	5 VA	5 VA
	10 VA	10 VA
	15 VA	15 VA
	-	20 VA
	-	25 VA
6 x 5A	5 VA	5 VA
	10 VA	10 VA
	15 VA	15 VA
	-	20 VA
	-	25 VA
7 x 5A	5 VA	5 VA
	10 VA	10 VA
	15 VA	15 VA
	-	20 VA
	-	25 VA
8 x 5A	5 VA	5 VA
	10 VA	10 VA
	15 VA	15 VA
	-	20 VA
	-	25 VA



terminal description

### ORDER

Required data: transformer type/ inputs/ power/ accuracy class

Order example: LU01 (150), 5x5A, 15VA, cl. 0.5