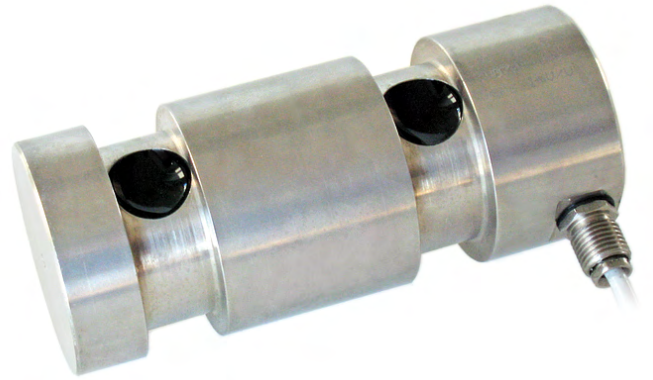




Manufactured according to OIML R60 standards

Capacity from 5000 kg to 20000 kg

- 17-4 PH STAINLESS STEEL
- COMBINED ERROR $\leq \pm 0.1\%$
- PROTECTION CLASS IP67



| CAPACITY | kg | IECEx | Ex | EAC | NET WEIGHT OF LOAD CELL (kg) | CODE |
|----------|----|--|----|-----|------------------------------|----------|
| 5000 | | • | • | • | 2.9 | LAU5000 |
| 10000 | | • | • | • | 3.2 | LAU10000 |
| 20000 | | • | • | • | 3.4 | LAU20000 |
| | | <div style="border: 1px solid black; width: 50px; height: 15px; margin: 0 auto;"></div> ON REQUEST | | | | |

CERTIFICATIONS

CERTIFICATIONS ON REQUEST

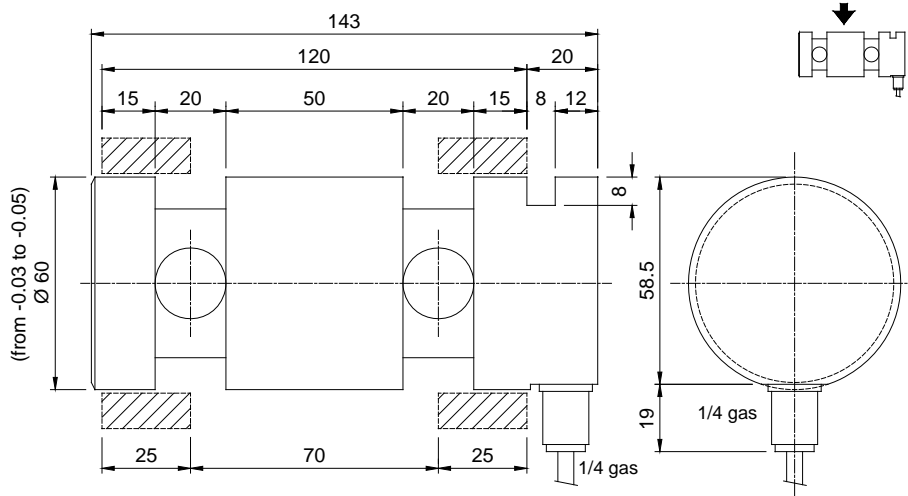
| | |
|--|---|
| | Calibration report (ACCREDIA LAT traceability) |
| | ATEX II 1GD (zone 0-1-2-20-21-22) |
| | IECEx (zone 0-1-2-20-21-22) |
| | Complies with the Eurasian Custom Union regulations (Russia, Belarus, Kazakhstan) |

OPTIONS ON REQUEST

| | DESCRIPTION |
|--|--|
| | Two redundant strain gauges Wheatstone bridges (350 Ω) with two output cables; for dual safety systems |

Rev. 00 del 12/03/2015

DIMENSIONS (mm)

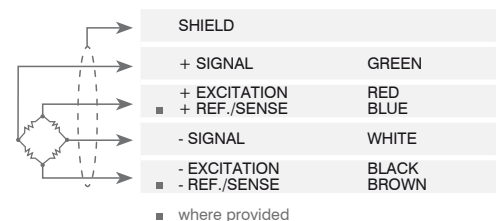


TECHNICAL FEATURES

| | | | |
|-------------------------------------|-------------------------|-------------------------------------|-----------|
| Material | 17-4 PH stainless steel | | |
| Nominal load (E max) | 5000 - 10000 - 20000 kg | | |
| Combined error | ≤ ±0.1% | | |
| Protection class | IP67 | | |
| Rated output | 1 mV/V ±0.1% | Input resistance | 350 Ω ±20 |
| Temperature effect on zero | 0.005% °C | Output resistance | 350 Ω ±5 |
| Temperature effect on span | 0.005% °C | Zero balance | ±1% |
| Compensated temperature range | -10 °C / +50 °C | Insulation resistance | >5000 MΩ |
| Operating temperature range | -20 °C / +70 °C | Safe overload (% of full scale) | 150% |
| Creep at nominal load in 30 minutes | 0.03% | Ultimate overload (% of full scale) | 400% |
| Max supply voltage without damage | 15 V | Deflection at nominal load | 0.4 mm |

ELECTRICAL CONNECTIONS

| | |
|----------------|--|
| Cable length | 10 m |
| Cable diameter | 5 mm |
| Cores | 4 x 0.25 mm ² /6 x 0.14 mm ² |



The Company reserves the right to make changes to the technical data, drawings and images without notice.